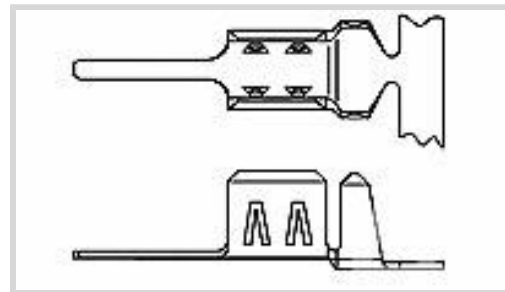




Connectors > RF Coax Connectors > Coax Terminators



Circuit Application: **Signal**

## Features

### Body Features

Body Plating Material	Tin
Body Material	Brass

### Contact Features

RF Connector Center Contact Plating Material	Tin
Crimp Type	Braid Termination
RF Connector Center Contact Material	Brass

### Usage Conditions

Insulation Option	Uninsulated
-------------------	-------------

### Operation/Application

Circuit Application	Signal
---------------------	--------

### Packaging Features

Packaging Method	Reel
------------------	------

### Other

RF Connector Comment	Strip form parts with solder tab.
----------------------	-----------------------------------

## Product Compliance

[For compliance documentation, visit the product page on TE.com>](#)

EU RoHS Directive 2011/65/EU	Compliant
EU ELV Directive 2000/53/EC	Compliant
China RoHS 2 Directive MIIT Order No 32, 2016	No Restricted Materials Above Threshold
EU REACH Regulation (EC) No. 1907/2006	Current ECHA Candidate List: JUNE 2022 (224) Candidate List Declared Against: JUNE 2022 (224)

Does not contain REACH SVHC

Halogen Content

Low Halogen - Br, Cl, F, I &lt; 900 ppm per homogenous material. Also BFR/CFR/PVC Free

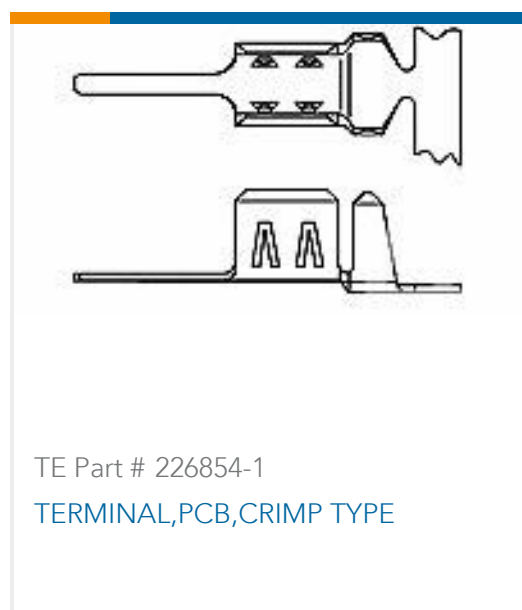
Solder Process Capability

Wave solder capable to 265°C

## Product Compliance Disclaimer

This information is provided based on reasonable inquiry of our suppliers and represents our current actual knowledge based on the information they provided. This information is subject to change. The part numbers that TE has identified as EU RoHS compliant have a maximum concentration of 0.1% by weight in homogenous materials for lead, hexavalent chromium, mercury, PBB, PBDE, DBP, BBP, DEHP, DIBP, and 0.01% for cadmium, or qualify for an exemption to these limits as defined in the Annexes of Directive 2011/65/EU (RoHS2). Finished electrical and electronic equipment products will be CE marked as required by Directive 2011/65/EU. Components may not be CE marked. Additionally, the part numbers that TE has identified as EU ELV compliant have a maximum concentration of 0.1% by weight in homogenous materials for lead, hexavalent chromium, and mercury, and 0.01% for cadmium, or qualify for an exemption to these limits as defined in the Annexes of Directive 2000/53/EC (ELV). Regarding the REACH Regulation, the information TE provides on SVHC in articles for this part number is based on the latest European Chemicals Agency (ECHA) 'Guidance on requirements for substances in articles' posted at this URL: <https://echa.europa.eu/guidance-documents/guidance-on-reach>

## Compatible Parts



## Documents

## Product Drawings

TERMINAL, PCB, CRIMP, LF PLTG

English

## CAD Files

3D PDF

English

## Customer View Model

ENG\_CVM\_9-226854-0\_A.3d\_igs.zip

English

## Customer View Model

ENG\_CVM\_9-226854-0\_A.3d\_stp.zip

English

## Customer View Model

ENG\_CVM\_9-226854-0\_A.2d\_dxf.zip

English



By downloading the CAD file I accept and agree to the [Terms and Conditions](#) of use.